

HS7000

HitchSafe™

Hitch Receiver Safe/Vault

INSTALLATION INSTRUCTIONS

The HitchSafe is designed to fit into any standard 2" hitch receiver on a truck, SUV, or van. It installs by sliding into the hitch receiver and securing in place using two internal bolt-retaining bars. Once installed, the hitch receiver itself acts as a protective steel housing, creating a secure space to store small valuables such as spare keys, credit cards, cash, or a driver's license.

To access the compartment, remove the rubber dust cover (designed to resemble a standard hitch cover), enter your personal 4-digit combination, and press the release lever. This will allow the drawer to slide out, giving you access to the stored items. The unit installs and removes in seconds without the need for special tools.

Compared to magnetic key holders, which can be unreliable easily dislodged, the HitchSafe provides a more secure and integrated storage solution that is protected by a combination lock and enclosed within the hitch receiver.

Patents: US 7059158 B2, AU 10/800,223

Follow the directions below to install your HitchSafe into the hitch receiver.

Special note regarding Toyota Tacoma and Tundra trucks: The HitchSafe is **NOT** compatible with 2022 or newer Toyota Tacoma or Tundra trucks. For older Tacoma or Tundra models, see note on Page 4.

Step 1



Insert just the HitchSafe body (1) with the foam spacers (2) into the receiver

Step 2



Pull out the pin retaining bar (4) to its fullest extent



WARNING: This product can expose you to chemicals including chromium, which is known to the State of California to cause cancer and birth defects or other reproductive harm. For more information go to www.P65Warnings.ca.gov.

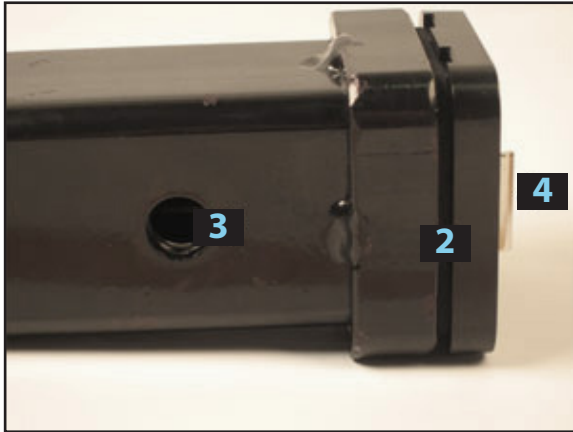
HS7000

HitchSafe™

Hitch Receiver Safe/Vault

INSTALLATION INSTRUCTIONS

Step 3



Line up the hitch pin holes (3) on the receiver with those on the HitchSafe. You may have to remove one or more of the foam spacers (2)

- Approx 75% of hitches will require one spacer.
- Approx 20% will require 2 or 3 spacers.
- Less than 5% will have a 1/4" gap after using all 3 spacers.

Step 4



Insert the hitch pin (5) with the foam seal into the hitch pin holes.

Step 5



While holding the hitch pin in, push in the pin retaining bar (4) to capture the hitch pin

Step 6



Push in the spring loaded drawer (6) until it clicks and the catch release will pop upwards.



WARNING: This product can expose you to chemicals including chromium, which is known to the State of California to cause cancer and birth defects or other reproductive harm. For more information go to www.P65Warnings.ca.gov.

HS7000

HitchSafe™
Hitch Receiver Safe/Vault

INSTALLATION INSTRUCTIONS

Step 7



Scramble the dials (7).

Notes on combination drawer:

The drawer must be on the opening combination (the one you set it to) prior to inserting it into the HitchSafe body or you will not be able to fully close the drawer.

See "Change Combination" instructions on how to set/reset the drawer combination.

Step 8



Place the top part of cover (8) so hooks at top inside of hitch cover hook over and on top of HitchSafe flange in the corresponding slots (Note on the Bottom of Cover "This Side Down").

Step 9



Push inward on the bottom of the cover (8) until the the cover releases snap into place on the bottom side of the HitchSafe flange.



WARNING: This product can expose you to chemicals including chromium, which is known to the State of California to cause cancer and birth defects or other reproductive harm. For more information go to www.P65Warnings.ca.gov.

HS7000

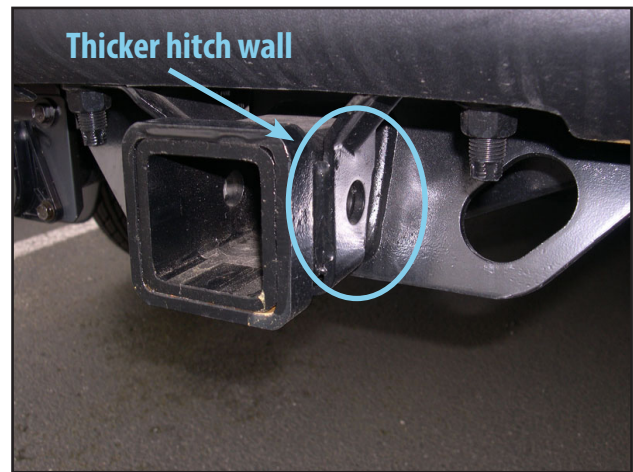
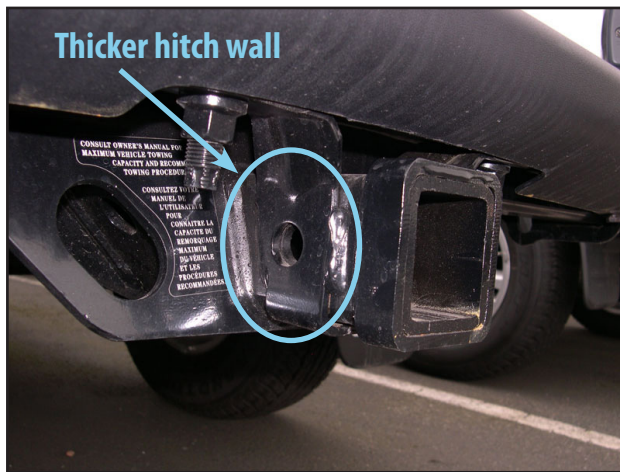
HitchSafe™

Hitch Receiver Safe/Vault

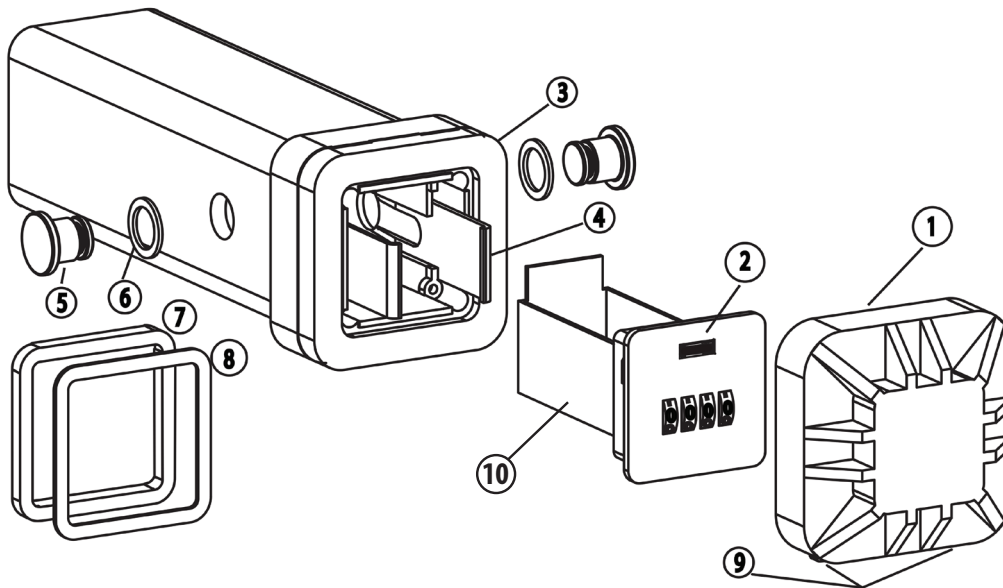
INSTALLATION INSTRUCTIONS

TOYOTA TACOMA / TOYOTA TUNDRA TRUCKS

IMPORTANT NOTE: Toyota Tacoma and Toyota Tundra trucks (model years 2005 - 2021) have an additional bracket (see below photos) that cross over the hitch receiver holes and secure into the step bumper holes above. This bracket is an additional 4mm thick and requires use of the optional longer HitchSafe pins/bolts (*Item# HS7021*). Hitchsafe is not compatible with 2022 model year or newer Toyota Tacoma or Tundra trucks. The HitchSafe works with all other vehicle makes and models including all years of Toyota Tacoma and Tundra models prior to 2005.



HitchSafe Components



- 1 = Cover
- 2 = Release lever
- 3 = Receiver
- 4 = Pin retaining bar
- 5 = Hitch pin
- 6 = Hitch pin washer
- 7 = Foam spacer (large)
- 8 = Foam spacer (small)
- 9 = Cover lock
- 10 = Drawer

WARNING: This product can expose you to chemicals including chromium, which is known to the State of California to cause cancer and birth defects or other reproductive harm. For more information go to www.P65Warnings.ca.gov.

206-363-3290 | 800-525-0954
www.fjmsecurity.com
© 2025 Olympus Lock, Inc.



**SECURITY
PRODUCTS**
AN OLYMPUS LOCK
COMPANY